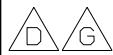


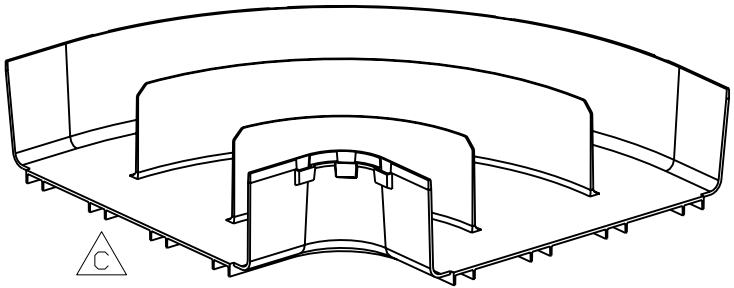
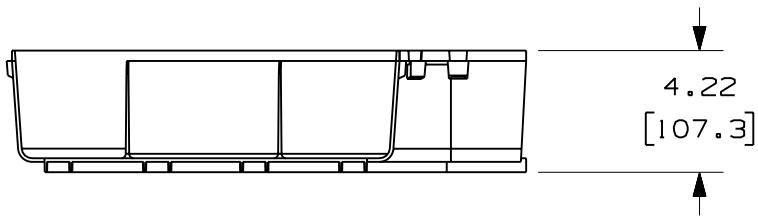
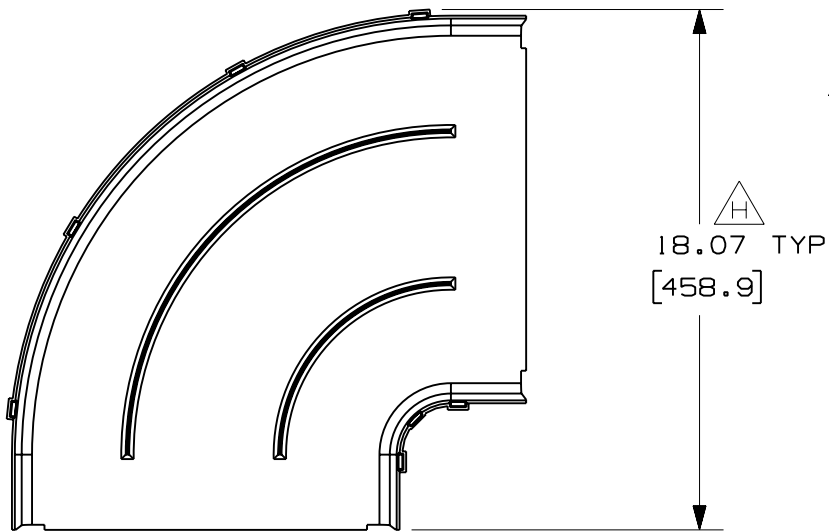
THIS COPY IS PROVIDED ON A RESTRICTED BASIS AND IS NOT TO BE USED IN ANY WAY DETRIMENTAL TO THE INTERESTS OF PANDUIT CORP.

PANDUIT P/N	WEIGHT
FRRA12X4	2.75 LB/EACH 1247g/EACH



**NOTES:**

1. SEE CURRENT CATALOG FOR ADDITIONAL PART SUFFIXES TO INDICATE COLOR AND/OR PACKAGE QUANTITY.
2. THE FIBERRUNNER 12x4 HORIZONTAL RIGHT ANGLE FITTING IS DESIGNED WITH A MINIMUM 2" (50.8) BEND RADIUS TO PROTECT FIBER OPTIC CABLES.
3. DIMENSIONS IN PARENTHESIS ARE IN METRIC.



ENG. REF.: D37617BL\_DC\_FRRA12X4\_02.prt

CAD FILENAME/LAYERS: **FRRA12X4.pdf**

REV	DATE	BY	CHK	DESCRIPTION	ECN	R	CUST	SUP	GMBH
-	-----	---	--	H. REVISED DIMENSION G. REVISED PART WEIGHT	-----	--	--		
3	7-12-06	DTP	RN	F. REVISED GENERAL NOTES E. REVISED DRAWING TITLE	37617-62	RN	RN		
2	6-25-04	MSO	SMF	D. REVISED PART WEIGHT; WAS 2.29 LB.	37617-62	RN	RN		
-	-----	---	---	C. REVISED PART GEOMETRY.	-----	--	--		
1	3-26-04	MSO	SMF	B. REVISED DRAWING TITLE. A. REVISED CAD FILENAME.	37617-62	RN	RN		
R	12-28-00	JHNU	SMF	RELEASED TO PRODUCTION	37617-62	HIW	HIW		

<b>PANDUIT</b> CORP		TINLEY PARK, ILLINOIS									
<b>FIBERRUNNER 12x4 HORIZONTAL RIGHT ANGLE FITTING (FRRA12X4)</b>											
CUSTOMER DRAWING											
UNLESS OTHERWISE SPECIFIED, DIMENSIONAL TOLERANCES ARE:		UNLESS OTHERWISE SPECIFIED, ALL DIMENSIONS ARE GIVEN IN INCHES, THIRD ANGLE PROJECTION.									
(.X) ±	(.XXX) ±	<table border="1"> <tr> <td>SCALE</td> <td>NONE</td> </tr> <tr> <td>DRAWING NO.</td> <td>37617-62</td> </tr> <tr> <td>DWG</td> <td>A</td> </tr> <tr> <td>SIZE</td> <td></td> </tr> </table>		SCALE	NONE	DRAWING NO.	37617-62	DWG	A	SIZE	
SCALE	NONE										
DRAWING NO.	37617-62										
DWG	A										
SIZE											
(.XX) ± .03 (.8)	ANGLES ±										
DRAWN BY	MAT'L:	<b>ABS</b>									
DATE											
CHK'D											
JHNU											
12-28-00											
HIW											